

WineRacks.com

Phone  
888.687.2517

Fax  
845.658.5309

# ASSEMBLY INSTRUCTIONS RETAIL BOTTLE RACKING

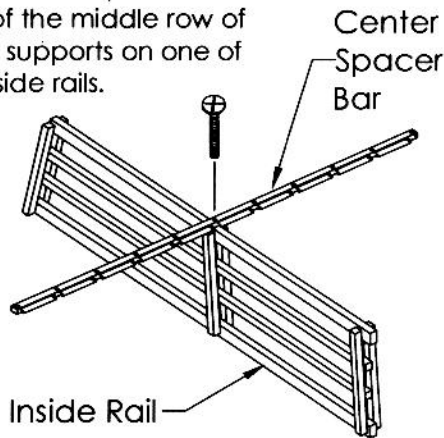
## Island Display Assembly Instructions

10/19/05

Note: If racks when ordered are to be nailed together instead of screws use 1 1/4" to 1 1/2" long 18ga. brad nails supplied by customer. Use of a nail gun is recommended.

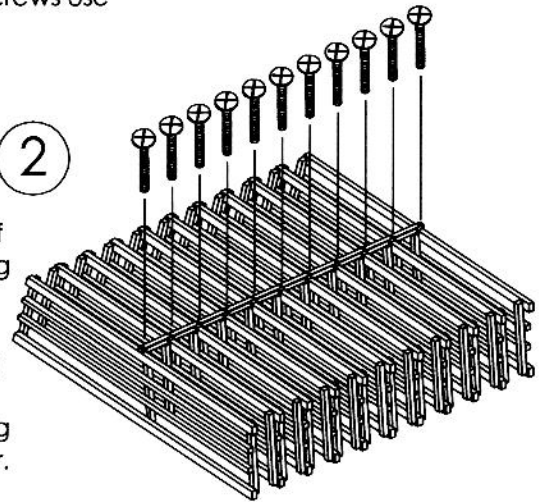
Assemble one complete side of the rack on the floor by attaching one of the center spacer bars in front of the middle row of bottle supports on one of the inside rails.

1



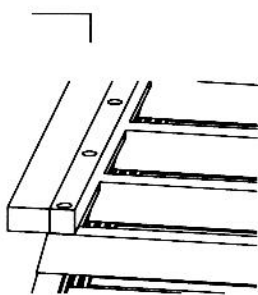
Assemble the front of the rack by attaching the remaining rails to this spacer bar. Be sure to attach the (2) outside rails with the bottle supports facing in toward each other.

2



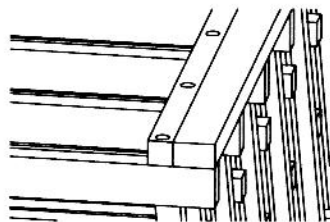
Attach one of the "L" shaped spacer bars to the top of the rack as shown.

3



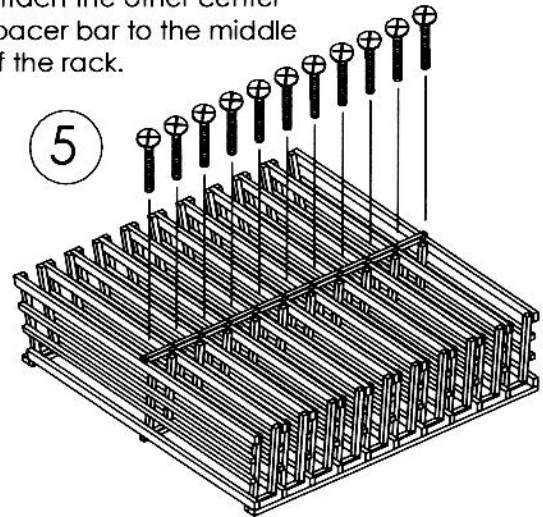
Attach another "L" shaped spacer bar to the bottom of the rack as shown.

4



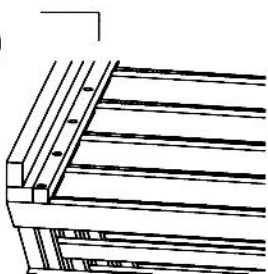
Turn the rack over and attach the other center spacer bar to the middle of the rack.

5



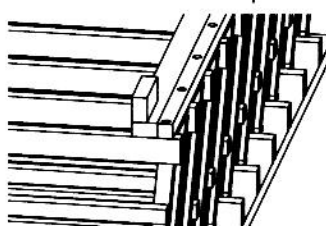
Attach another "L" shaped spacer bar to the back top of the first rack and a "Z" shaped on the back of the second rack as shown.

6



Attach the last "L" shaped spacer bar to the back bottom of the first rack and a "split Z" shaped to the back bottom of the second rack as shown.

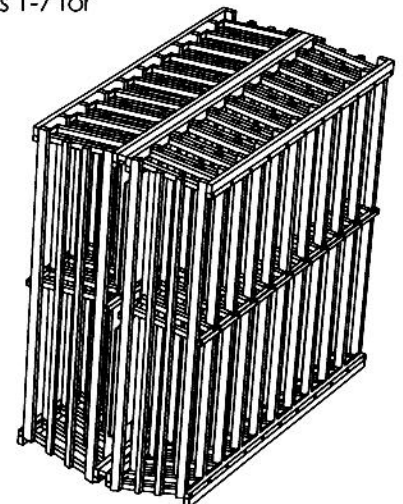
7



Nail two backpanels 2 3/4" above rear spacer bars on first rack only. Stand rack upright. Repeat steps 1-7 for the adjacent rack.

Set in place. Attach the (2) racks using the "z" shaped bars with the full "z" bar on top and the split "z" on the bottom.

8



Finished Assembly