

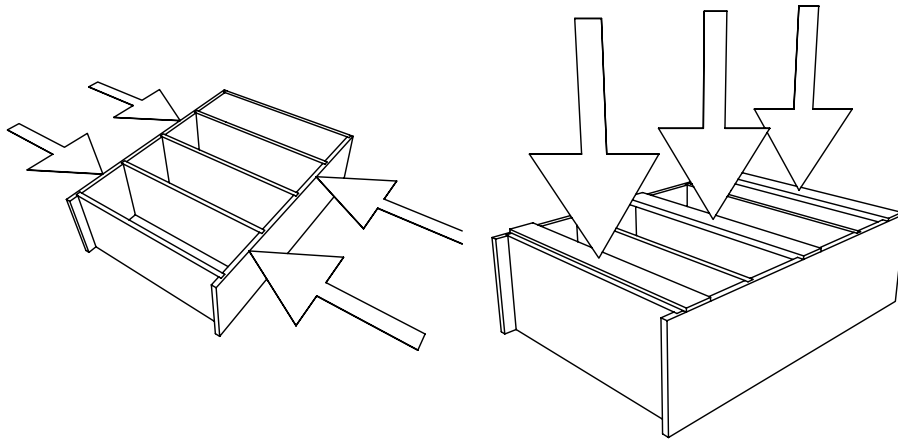
WineRacks.com



Phone
888.687.2517
Fax
845.658.5309

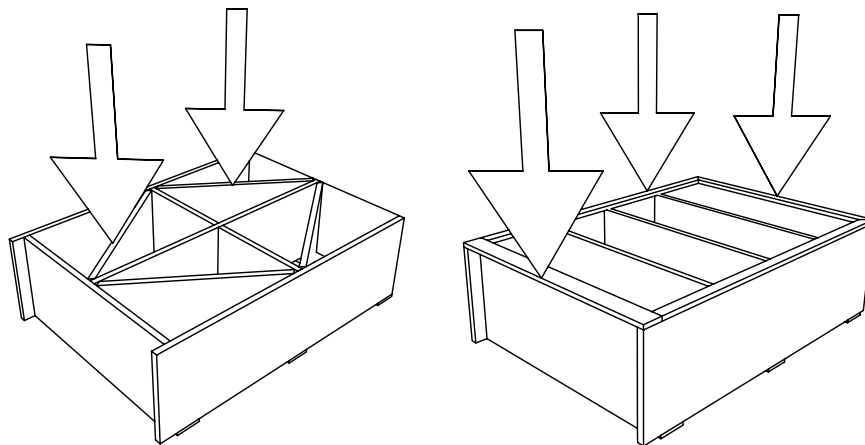
CABINETS

**ALWAYS CONFIRM SHIPMENT TO PACKING LIST.
PLEASE CALL IF YOU HAVE ANY QUESTIONS.**



STEP 1: ATTACH CABINET SIDES TO CABINET TOP AND BOTTOM.

STEP 2: FLIP CABINET SHELL AND ATTACH BACK SUPPORT CLEATS.



STEP 3: ATTACH CABINET SHELVES, BOTH VERTICAL & HORIZONTAL AS WELL AS ANY ANGLED SHELVES TO CABINET SHELL.

STEP 4: ATTACH FACING TRIM.

STEP 5: STAND RACK AND ATTACH TO WALL OR ADJACENT RACKING.