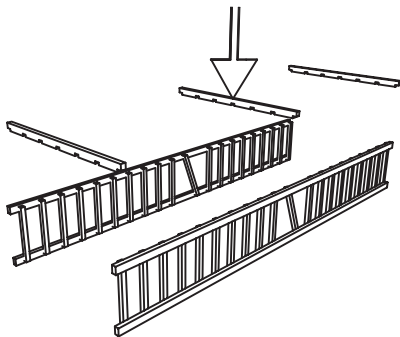
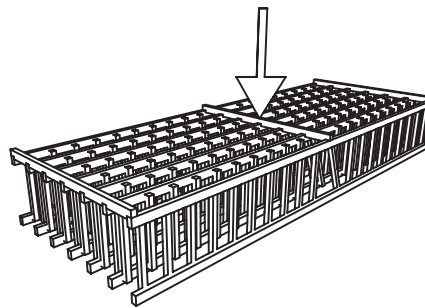


INSTRUCTIONS SHEET FOR PREMIUM RACKING & CURVED CORNERS



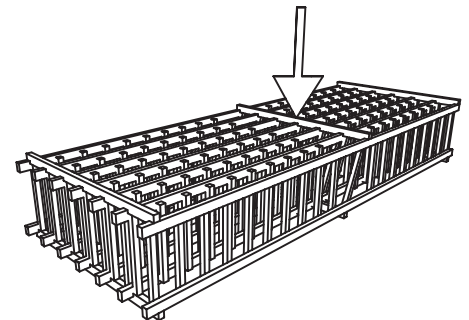
STEP 1: VERIFY SHIPMENT WITH PACKING LIST.

STEP 2: READ ALL INSTRUCTIONS BEFORE BEGINNING ASSEMBLY. IF YOU HAVE ANY QUESTION, PLEASE CALL BEFORE BEGINNING.

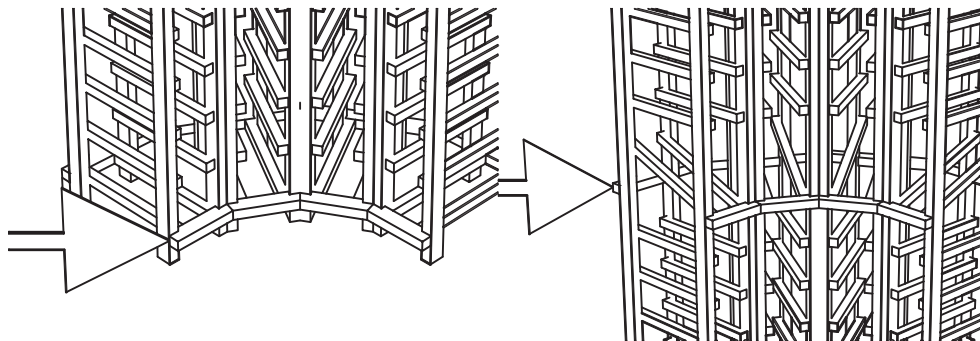


STEP 3: STARTING ON ONE SIDE OF RACK, ATTACH VERTICAL LADDERS TO HORIZONTAL SPACER BARS USING PROVIDED SCREWS OR BRAD NAILS.

STEP 4: FLIP UNIT OVER AND REPEAT FOR REVERSE SIDE. THE MIDDLE SPACER BAR IS IDEALY PLACED AT THE LEVEL OF THE DISPLAY ROW



STEP 5: RACKING SHOULD BE SECURED TO WALL OR ADDITIONAL RACKING FOR SUPPORT. RACKING SHOULD BE SECURED TO WALL STUDS FOR MAXIMUM SAFETY. PLEASE CONSULT A QUALIFIED CONTRACTOR IF YOU REQUIRE ASSISTANCE.



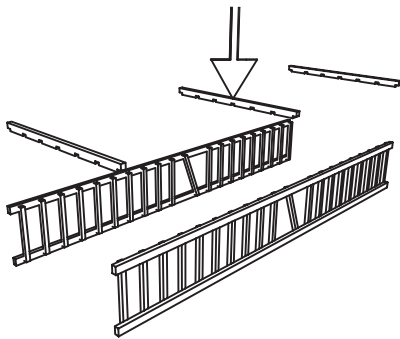
SPECIAL NOTE FOR CURVED CORNER RACKS:

CURVED CORNER RACKS ARE ASSEMBLED IN THE SAME MANNER AS PREMIUM RACKING HOWEVER THEY HAVE AN INNER AND OUTER SPACER BAR.

THE INNER SPACER BAR IS THE SMALLER SECTION WITH THE FINISHED WOOD EDGE AND THE OUTER IS THE LARGER WITH THE EDGE BANDED FACING. PLEASE SECURE THIS RACK IN THE SAME MANNER YOU WOULD THE REGULAR PREMIUM SERIES RACKING.

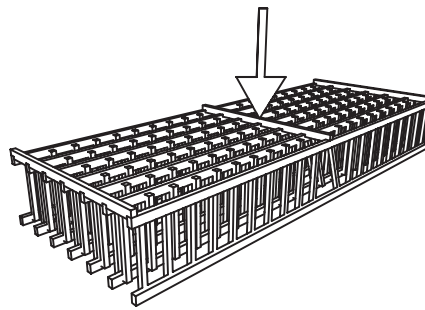
PLEASE READ ALL PACKING AND INSTRUCTION MATERIAL BEFORE BEGINNING. PLEASE CONTACT IF YOU HAVE ANY QUESTIONS OR CONCERNS BEFORE BEGINNING ASSEMBLY.

INSTRUCTIONS SHEET FOR PREMIUM RACKING & WATERFALLS



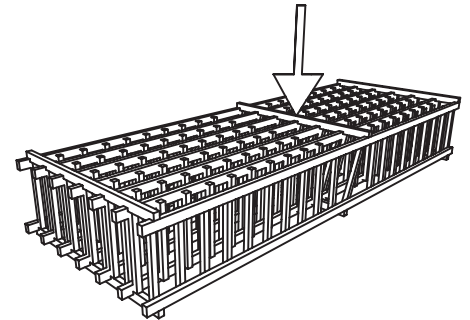
STEP 1: VERIFY SHIPMENT WITH PACKING LIST.

STEP 2: READ ALL INSTRUCTIONS BEFORE BEGINNING ASSEMBLY. IF YOU HAVE ANY QUESTION, PLEASE CALL BEFORE BEGINNING.

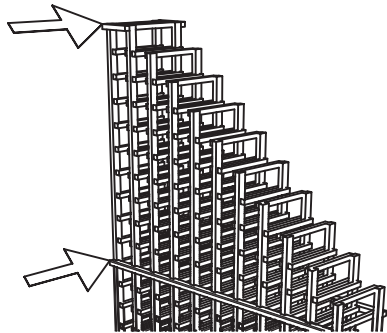


STEP 3: STARTING ON ONE SIDE OF RACK, ATTACH VERTICAL LADDERS TO HORIZONTAL SPACER BARS USING PROVIDED SCREWS OR BRAD NAILS.

STEP 4: FLIP UNIT OVER AND REPEAT FOR REVERSE SIDE. THE MIDDLE SPACER BAR IS IDEALY PLACED AT THE LEVEL OF THE DISPLAY ROW

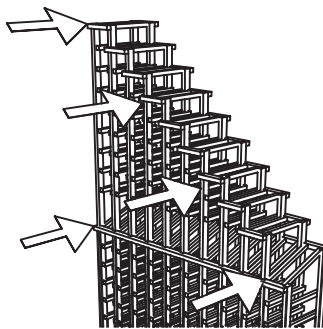


STEP 5: RACKING SHOULD BE SECURED TO WALL OR ADDITIONAL RACKING FOR SUPPORT. RACKING SHOULD BE SECURED TO WALL STUDS FOR MAXIMUM SAFETY. PLEASE CONSULT A QUALIFIED CONTRACTOR IF YOU REQUIRE ASSISTANCE.

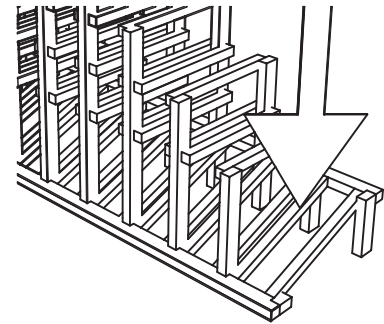


SPECIAL NOTE FOR WATERFALL RACKS:

STANDARD WATERFALL RACKS HAVE A SINGLE SPACER BAR PLACED AT THE TOP



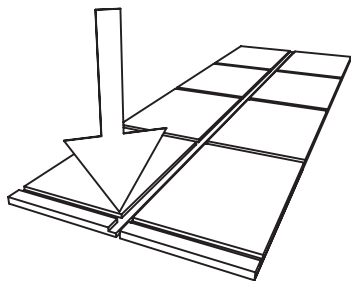
CUSTOM WATERFALLS HAVE A SINGLE SPACER BAR PLACED AT THE TOP OF EVERY COLUMN.



THE HALF HEIGHT WATERFALL RACK HAS A VERY SMALL LADDER ON THE LOW END. IT IS FRAGILE AND MUST BE HANDLED WITH CARE. ONCE ASSEMBLED, PLEASE SECURE AS YOU WOULD ALL OTHER RACKING.

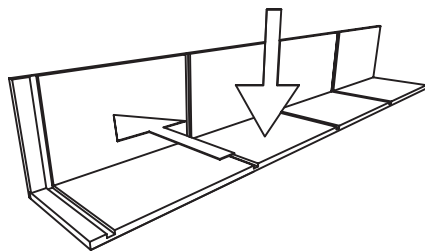
PLEASE READ ALL PACKING AND INSTRUCTION MATERIAL BEFORE BEGINNING. PLEASE CONTACT IF YOU HAVE ANY QUESTIONS OR CONCERNS BEFORE BEGINNING ASSEMBLY.

INSTRUCTIONS SHEET FOR PREMIUM QUARTER ROUND

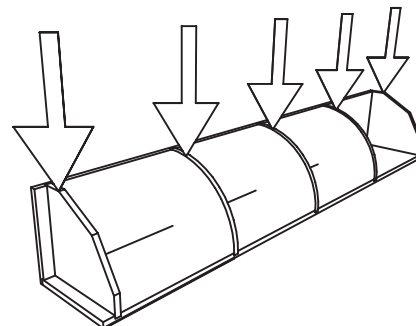


STEP 1: VERIFY SHIPMENT WITH PACKING LIST.

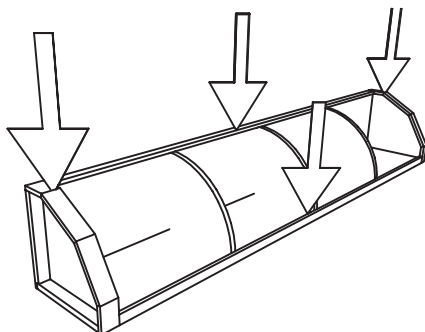
STEP 2: READ ALL INSTRUCTIONS BEFORE BEGINNING ASSEMBLY. IF YOU HAVE ANY QUESTION, PLEASE CALL BEFORE BEGINNING.



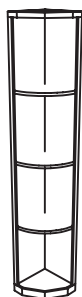
STEP 3: ATTACH THE SIDES TO EACH OTHER USING SUPPLIED SCREWS. BE SURE TO ALIGN THEM CORRECTLY SO THE SHELVES CAN BE INSTALLED.



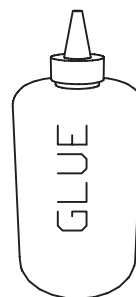
STEP 4: INSTALL THE TOP, BOTTOM AND SHELVES USING THE SUPPLIED SCREWS.



STEP 5: IF PURCHASED, INSTALL THE VERTICAL TRIM MOLDING TO THE SIDE AND STAND UNIT.



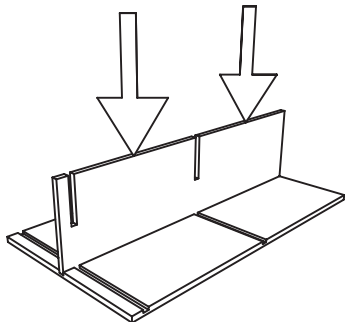
RACKING SHOULD BE SECURED TO WALL OR ADDITIONAL RACKING FOR SUPPORT. RACKING SHOULD BE SECURED TO WALL STUDS FOR MAXIMUM SAFETY. PLEASE CONSULT A QUALIFIED CONTRACTOR IF YOU REQUIRE ASSISTANCE.



CABINETS ARE PROVIDED WITH A BOTTLE OF WOOD GLUE. PLEASE USE SPARINGLY, PLACING A THIN BEAD OF GLUE IN EACH JOINT, BEING SURE TO AVOID OVER APPLICATION.

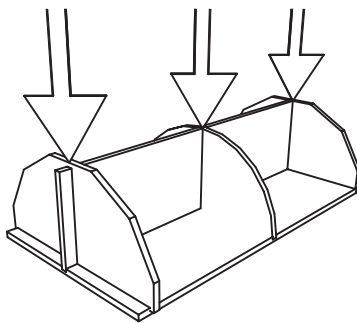
PLEASE READ ALL PACKING AND INSTRUCTION MATERIAL BEFORE BEGINNING. PLEASE CONTACT IF YOU HAVE ANY QUESTIONS OR CONCERNS BEFORE BEGINNING ASSEMBLY.

INSTRUCTIONS SHEET FOR PREMIUM HALF ROUND

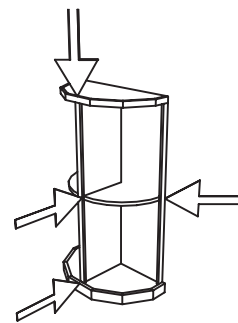


STEP 1: VERIFY SHIPMENT WITH PACKING LIST.

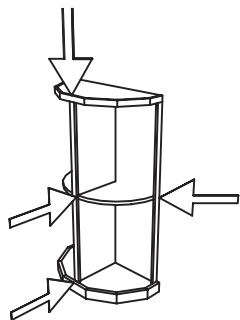
STEP 2: READ ALL INSTRUCTIONS BEFORE BEGINNING ASSEMBLY. IF YOU HAVE ANY QUESTION, PLEASE CALL BEFORE BEGINNING.



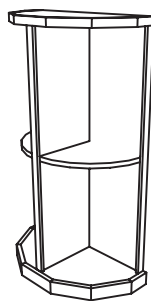
STEP 3: ATTACH THE SIDE TO THE BACK USING SUPPLIED SCREWS. BE SURE TO ALIGN THEM CORRECTLY SO THE SHELVES CAN BE INSTALLED.



STEP 4: INSTALL THE TOP, BOTTOM AND SHELF USING THE SUPPLIED SCRWs. THE BOTTOM CAN BE IDENTIFIED BY THE 2 $\frac{1}{4}$ " MOLDING AND THE TOP BY THE 1 $\frac{1}{4}$ " MOLDING. THE SHELF HAS A ROUNDED FRONT EDGE.



STEP 5: IF PURCHASED, INSTALL THE TRIM MOLDING TO THE SIDE AND SHELVES. STAND UNIT.



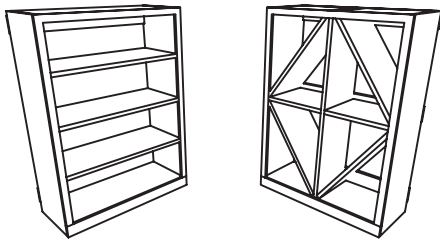
RACKING SHOULD BE SECURED TO WALL OR ADDITIONAL RACKING FOR SUPPORT. RACKING SHOULD BE SECURED TO WALL STUDS FOR MAXIMUM SAFETY. PLEASE CONSULT A QUALIFIED CONTRACTOR IF YOU REQUIRE ASSISTANCE.



CABINETS ARE PROVIDED WITH A BOTTLE OF WOOD GLUE. PLEASE USE SPARINGLY, PLACING A THIN BEAD OF GLUE IN EACH JOINT, BEING SURE TO AVOID OVER APPLICATION.

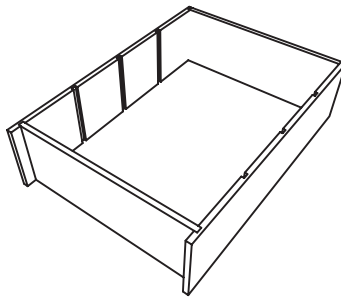
PLEASE READ ALL PACKING AND INSTRUCTION MATERIAL BEFORE BEGINNING. PLEASE CONTACT IF YOU HAVE ANY QUESTIONS OR CONCERNS BEFORE BEGINNING ASSEMBLY.

INSTRUCTIONS SHEET FOR PREMIUM CABINETS

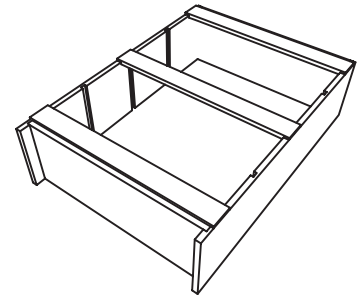


STEP 1: VERIFY SHIPMENT WITH PACKING LIST.

STEP 2: READ ALL INSTRUCTIONS BEFORE BEGINNING ASSEMBLY. IF YOU HAVE ANY QUESTION, PLEASE CALL BEFORE BEGINNING.

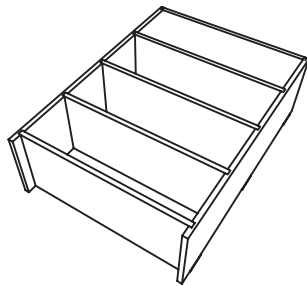


STEP 3: ATTACH THE SIDES TO THE TOP AND BOTTOM USING SUPPLIED SCREWS. BE SURE TO ALIGN THEM CORRECTLY SO THE SHELVES CAN BE INSTALLED.

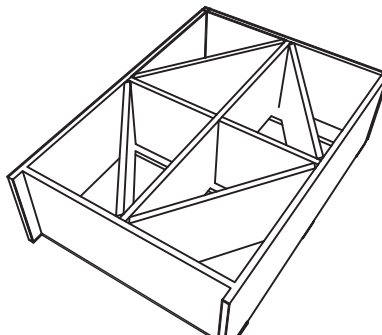


STEP 5: INSTALL THE BACK CLEATS USING SCREWS PROVIDED. TOP & BOTTOM *OR* LEFT AND RIGHT CLEATS FIT AGAINST TOP & BOTTOM *OR* SIDES. FLIP OVER WHEN DONE.

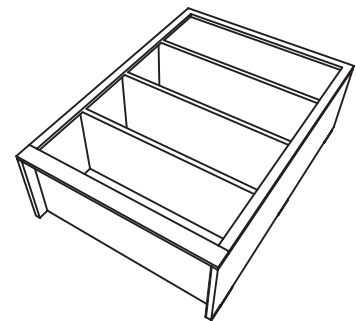
STEP 4: FLIP CABINET SHELL OVER



STEP 6: INSTALL SHELVES OR VERTICAL AND HORIZONTAL DIVIDERS DEPENDING ON CABINET TYPE.



ON DIAMOND BINS, THE ANGLED SHELVES ARE NOT SECURED WITH SCREWS BUT FLOAT BETWEEN THE CABINET FRONT AND THE BACK CLEATS. THE EDGE BANDED SIDE FACES FORWARD. IF PURCHASED FINISH BY ATTACHING FACING TRIM AND STAND.



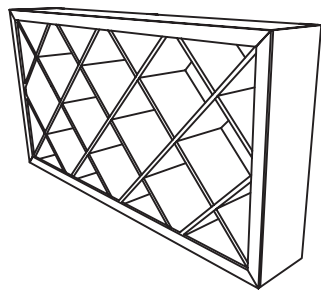
RACKING SHOULD BE SECURED TO WALL OR ADDITIONAL RACKING FOR SUPPORT. RACKING SHOULD BE SECURED TO WALL STUDS FOR MAXIMUM SAFETY. PLEASE CONSULT A QUALIFIED CONTRACTOR IF YOU REQUIRE ASSISTANCE.



CABINETS ARE PROVIDED WITH A BOTTLE OF WOOD GLUE. PLEASE USE SPARINGLY, PLACING A THIN BEAD OF GLUE IN EACH JOINT, BEING SURE TO AVOID OVER APPLICATION.

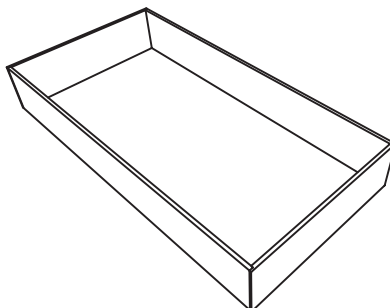
PLEASE READ ALL PACKING AND INSTRUCTION MATERIAL BEFORE BEGINNING. PLEASE CONTACT IF YOU HAVE ANY QUESTIONS OR CONCERNS BEFORE BEGINNING ASSEMBLY.

INSTRUCTIONS SHEET FOR COMPOUND DIAMOND



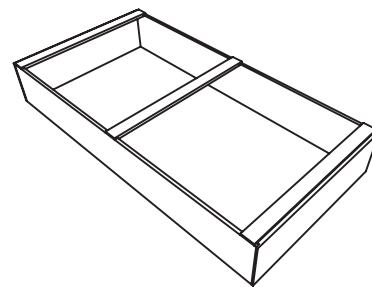
STEP 1: VERIFY SHIPMENT WITH PACKING LIST.

STEP 2: READ ALL INSTRUCTIONS BEFORE BEGINNING ASSEMBLY. IF YOU HAVE ANY QUESTION, PLEASE CALL BEFORE BEGINNING.

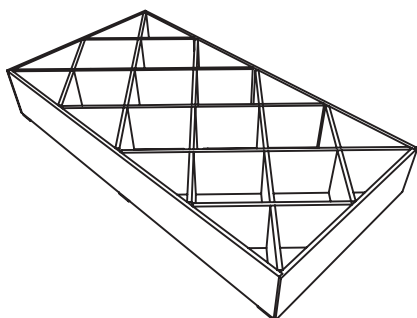


STEP 3: ATTACH THE SIDSE TO THE TOP AND BOTTOM USING SUPPLIED SCREWS.

STEP 4: FLIP CABINET SHELL OVER

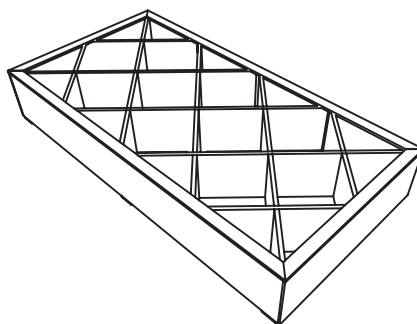


STEP 5: INSTALL THE BACK CLEATS USING SCREWS PROVIDED. LEFT AND RIGHT CLEATS FIT AGAINST SIDES WITH MIDDLES EVENLY SPACED. FLIP OVER WHEN DONE.



STEP 6: INSTALL LATTICE SHELVES USING THE PROVIDED LATTICE PLAN ENCLOSED WITH PACKING LIST. THE SHELVES ARE SIZED TO HAVE A SNUG FIT:

PLEASE DO NOT CUT SHELVES TO MAKE THEM FIT.



STEP 7: FINISH CABINET BY INSTALLING FACING TRIM AND STANDING.



CABINETS ARE PROVIDED WITH A BOTTLE OF WOOD GLUE. PLEASE USE SPARINGLY, PLACING A THIN BEAD OF GLUE IN EACH JOINT, BEING SURE TO AVOID OVER APPLICATION.

RACKING SHOULD BE SECURED TO WALL OR ADDITIONAL RACKING FOR SUPPORT. RACKING SHOULD BE SECURED TO WALL STUDS FOR MAXIMUM SAFETY. PLEASE CONSULT A QUALIFIED CONTRACTOR IF YOU REQUIRE ASSISTANCE.

PLEASE READ ALL PACKING AND INSTRUCTION MATERIAL BEFORE BEGINNING. PLEASE CONTACT IF YOU HAVE ANY QUESTIONS OR CONCERNS BEFORE BEGINNING ASSEMBLY.