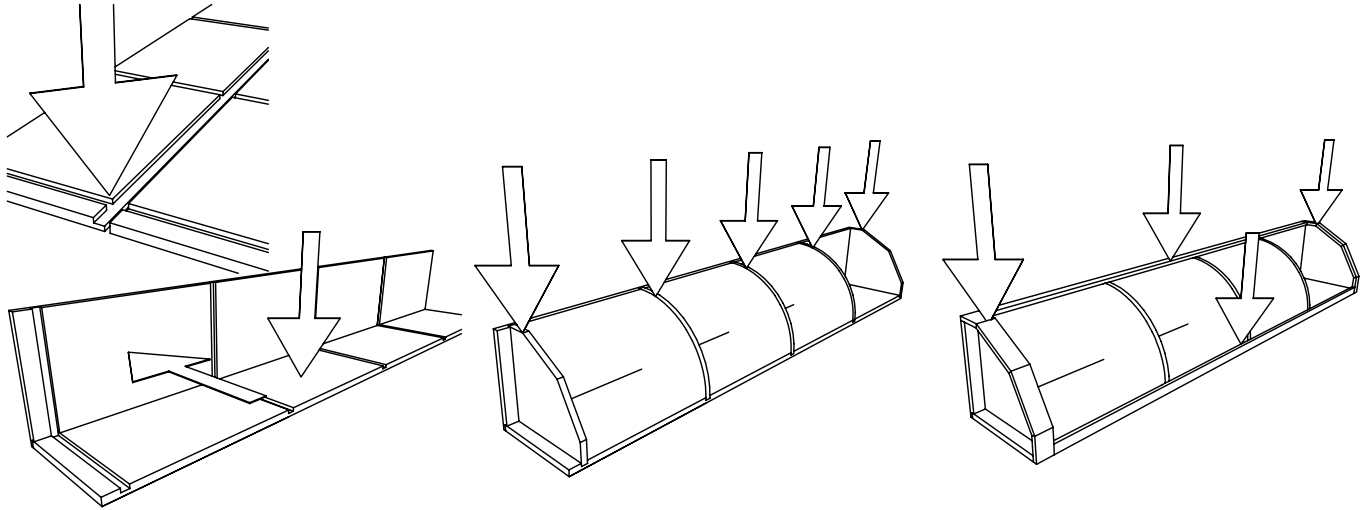


QUARTER ROUND & HALF ROUND

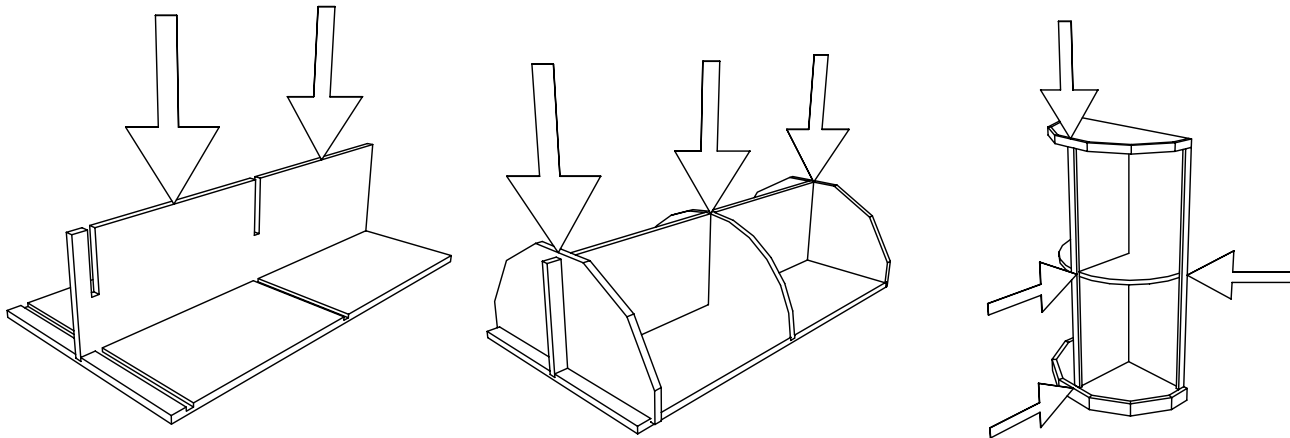
**ALWAYS CONFIRM SHIPMENT TO PACKING LIST.
PLEASE CALL IF YOU HAVE ANY QUESTIONS.**



STEP 1: ATTACH QUARTER ROUND SIDES.

STEP 2: ATTACH TOP, BOTTOM & SHELVES. TOP & BOTTOM ARE SQUARE, SHELVES ARE ROUND.

STEP 2: ATTACH TRIM & STAND, SECURING TO WALL OR RACKING AS NEEDED.



STEP 1: ATTACH CENTER DIVIDER TO BACK AS SHOWN.

STEP 2: TOP, BOTTOM & SHELF.

STEP 3: ATTACH REMAINING TRIM & STAND, SECURING TO WALL OR RACKING AS NEEDED.