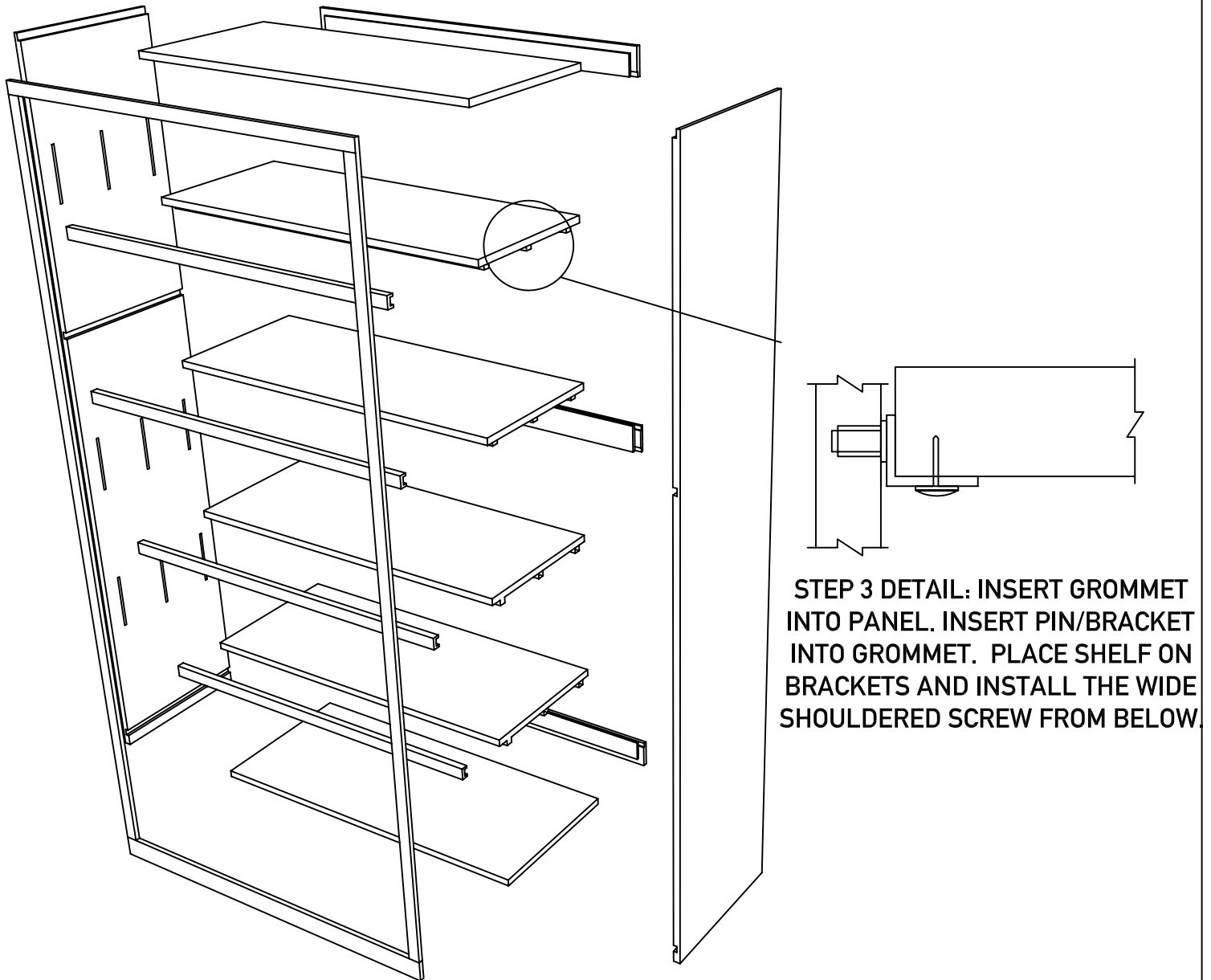


WineRacks.com  
Phone 888.687.2517  
Fax 845.658.5309

# RETAIL ADJUSTABLE SHELF INSTRUCTIONS



**STEP 3 DETAIL: INSERT GROMMET INTO PANEL. INSERT PIN/BRACKET INTO GROMMET. PLACE SHELF ON BRACKETS AND INSTALL THE WIDE SHOULDERED SCREW FROM BELOW.**

**STEP 1: VERIFY SHIPMENT WITH PACKING LIST ENCLOSED & INSPECT FOR DAMAGE.**

**STEP 2: ATTACH SIDES TO BACK CLEATS & TOP, BOTTOM AND/OR FIXED SHELF USING SCREWS PROVIDED.**

**STEP 3: INSTALL ADJUSTABLE SHELF HARDWARE AND ADJUSTABLE SHELVES, MAKING SURE TO CONNECT SHELF AND SHELF BRACKET WITH PROVIDED SCREWS.**

**STEP 4: INSTALL CABINET TRIM AND STAND. CABINET SHOULD BE SECURED TO WALLS OR ADJACENT CABINETS OR RACKING TO ENSURE MAXIMUM STABILITY.**