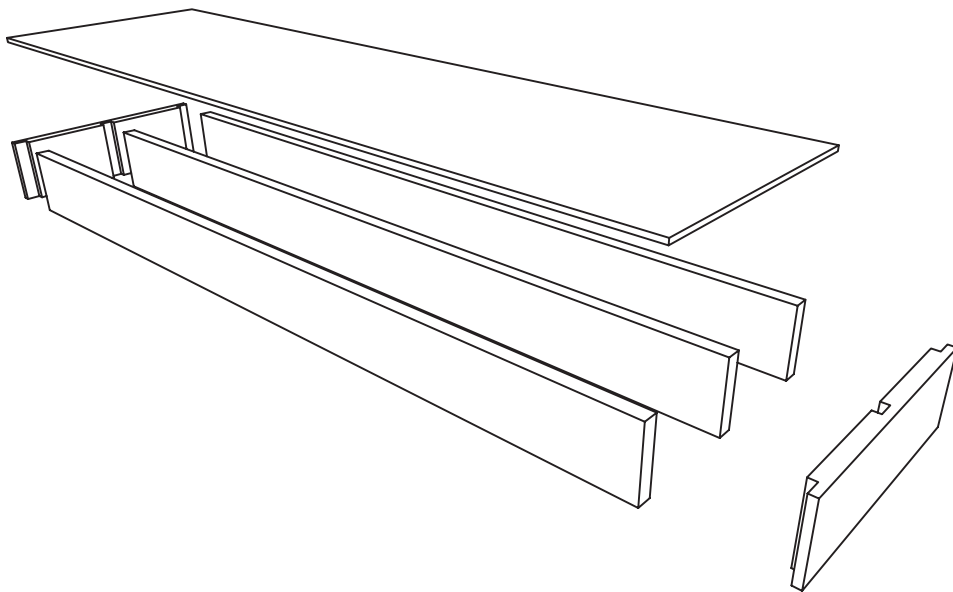


INSTRUCTIONS SHEET FOR RETAIL RACKING BASES



**SCREW RAILS TO ENDS.
PLACE TOP AND SCREW TO RAILS.
APPLY VINYL BASE TRIM IF DESIRED.**

PLEASE READ ALL PACKING AND INSTRUCTION MATERIAL BEFORE BEGINNING. PLEASE CONTACT IF YOU HAVE ANY QUESTIONS OR CONCERNS BEFORE BEGINNING ASSEMBLY.